

Flasher Units

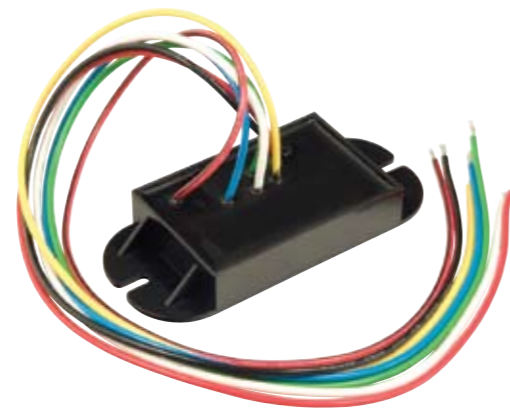


Headlight Flasher Solid State Electronics - Vision Alert's range of Sound Off™ 100% solid state electronic head light flashers are hermetically sealed and microprocessor controlled. Constructed with no moving parts and sealed with epoxy makes the Sound Off™ headlight flasher range extremely robust and reliable.

Headlight Flasher Solid State Driven Relay - The solid state driven flashers have relays firmly cased in epoxy and are designed for all negatively switched headlight systems.

Multi-Purpose Flashers - Hermetically sealed and microprocessor controlled Vision Alert's multi-purpose flashers can be utilised in both LED and incandescent applications.

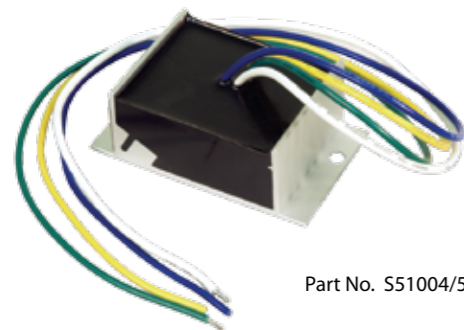
- SINGLE**
 - DOUBLE**
 - CYCLING**
 - FAST ALTER**
- Select-A-Pattern Technology on selected models
- Hermetically sealed construction**
- LOW VOLTAGE**
 - MICRO**
- Low voltage/reverse polarity protection
- Microprocessor control
- Highly durable to withstand harsh conditions**
 - High beam override - Flashing stops when high beam engaged**
- Multi-purpose flashers can be used for LED or incandescent applications



Part No. S52000



Part No. S51003



Part No. S51004/5



Part No. S51001



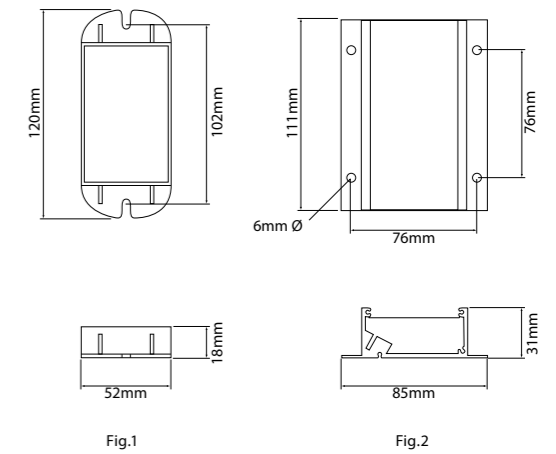
Headlight Flasher - Solid State Electronics

Part No.	Voltage	Flash Rate	Outputs	Amps per output	Switching	Figure
S52000	12-24	Selectable	2	9.5 (Max.)	Positive	1
S51001	12	114 FPM	2	12 (Max.)	Positive	2

Selectable Flash Rate-

- Pattern 1 - Slow alternating pattern (1.9 FPS)
- Pattern 2 - Fast alternating pattern (3.0 FPS)
- Pattern 3 - Fast simultaneous flash (3.6 FPS)
- Pattern 4 - Cycling (1.9 to 3.0 FPS)
- Pattern 5 - Fast double flash alternating (3.0 FPS)
- Pattern 6 - Cycling through 3 double alternating and 2 simultaneous
- Pattern 7 - Slow alternating (0.9 FPS)

Solid state headlight flashers carry a 5 year warranty.

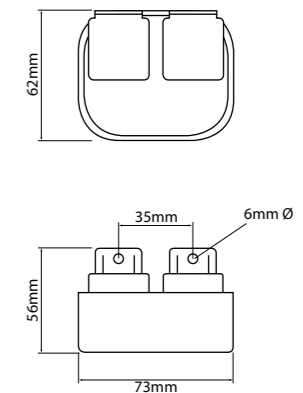


Headlight Flasher - Solid State Driven Relay

Part No.	Voltage	Flash Rate	Outputs	Amps per output	Switching
S51003	12	112 FPM	2	12 (Max.)	Negative

Flash Patterns

- Alternating (wig wag 3 FPS)
- Alternating flasher for ground side switching headlights.
- Relay driven headlight flasher carries 12 month warranty.



Flashers - Multi-purpose

Part No.	Voltage	Flash Rate	Outputs	Amps per output	Switching	Fig
S51004	12	114 FPM	2	8 (Max.)	Positive	1
S51005	12	114 FPM	2	15 (Max.)	Positive	2

Not suitable for headlights.

Multi-purpose flashers carry a 12 month warranty.

