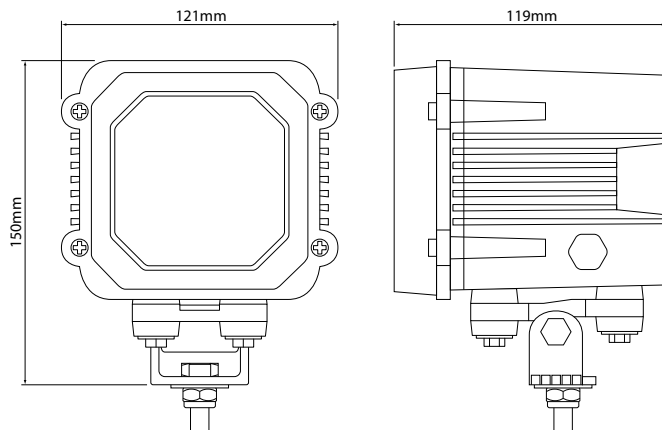
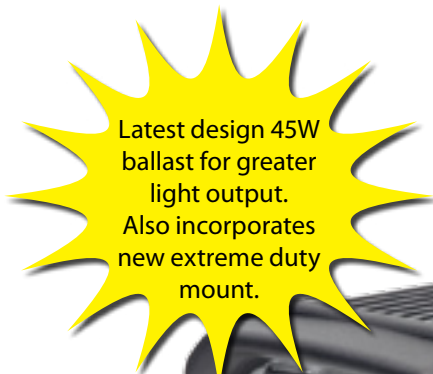


NORDIC N45 HID Booster

The new Nordic N45 HID Booster utilises the latest design 45Watt ballast boosting light output over standard N45 models.

The Nordic N45 Booster also includes an all new extreme duty anti-vibration mounting system, which when coupled with the already robust, ultra compact body, makes for a hard wearing and versatile worklamp.



- Heavy duty 5000 hr 35W D1S Xenon discharge bulb
Extreme duty anti-vibration mounting system
- Low current draw - 2.0A @ 24V
Rotate lens for pendant, lefthand or righthand side mount
- Over voltage, over temp, spike & polarity protected
Environmentally sealed body IP68
- Deutsch DT series 2 pin connector on fly lead
Gore™ membrane vent installed
- Ballast encapsulated in cast aluminium body
Free-Form optics for superior light dispersion

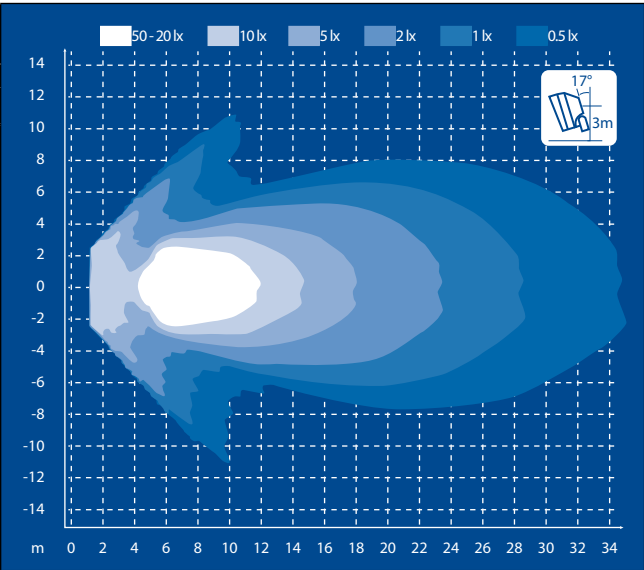
N45 HID Booster Specifications

Voltage :	12V	24V
Input Current :	4.1 Amps	2.0 Amps
Ballast :	Integrated	
Connector :	Deutsch DT Series 2 Pin	
Mount :	Single Bolt M10 / 4 Bolt M6 - Swivel	
Shock :	50 G	
Vibration :	15.3 G _{rms} 24 - 2000 Hz	
Lens :	Hardened Glass	
Body :	Aluminium	
Weight :	1.1 kg	
IP Rating :	IP68	
Salt Mist :	ISO 9227	
EMC :	ISO 13766	
Operating Temperature :	-40°C to +85°C	
Colour Temperature. :	4250 K	
Bulb :	35W D1S	



Nordic N45 HID Booster - Flood

Part No.	Voltage	Lens Type
990-039	24	8B099



Nordic N45 HID Booster - Wide Flood

Part No.	Voltage	Lens Type
990-040	24	8B103

